

HEK GTP 1500

Transport Platform

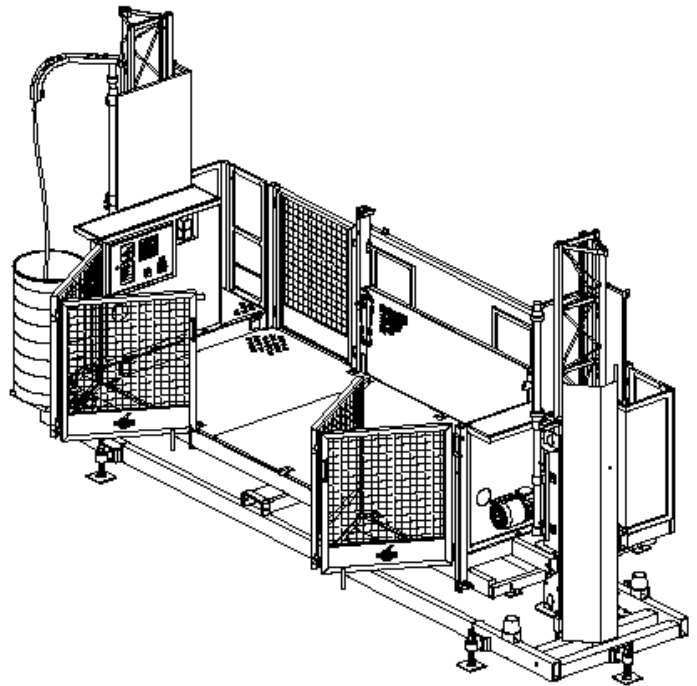


POWER SUPPLY REQUIREMENTS

Voltage: 240V, 3 Phase
 Frequency: 60 Hz
 Breaker Size: 50A

MACHINE SPECIFICATIONS

Platform Speed: 39 ft/min
 Maximum Height:
 Anchored: 394 ft
 Freestanding: 0 ft
 Anchor Distance: 20 ft - 26 ft
 Height of First Anchor: 10 ft - 13 ft
 Mast Height Above Top Anchor: 10 ft
 Standard Extension: N/A
 Motors (Vertical Travel): 2 x 4.8 kW
 Motors (Horizontal Travel): N/A
 Control Voltage: 42V
 Starting Current: 190A
 Running Current: 40A



COMPONENT WEIGHTS

Base Machine:¹ 4619 lb
 Mast (4'-11"): 110 lb

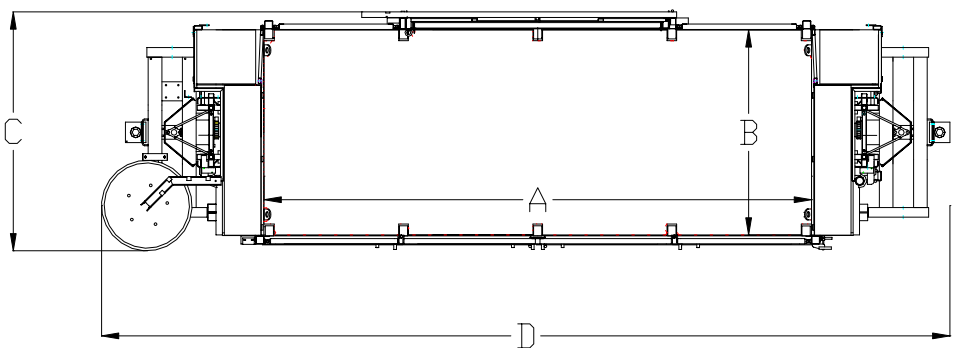
¹ Weight of base machine includes 2 masts and 2 red top masts.

LIFTING CAPACITY

3300 Pounds

DIMENSIONS

A	13'-1"
B	4'-11"
C	5'-10"
D	20'-6"



Alimak Hek, Inc. Construction Division

3745 Cherokee Street Suite 605 • Kennesaw, GA 30144
 Tel (800) 343-2449 • (770) 424-3232 Fax (770) 424-4647
 www.alimakhek.com

1100 Boston Avenue • Bridgeport, CT 06601
 Tel (800) 525-4625 • (203) 367-7400 Fax (203) 367-9251
 www.alimakhek.com